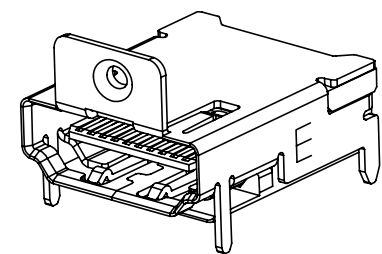
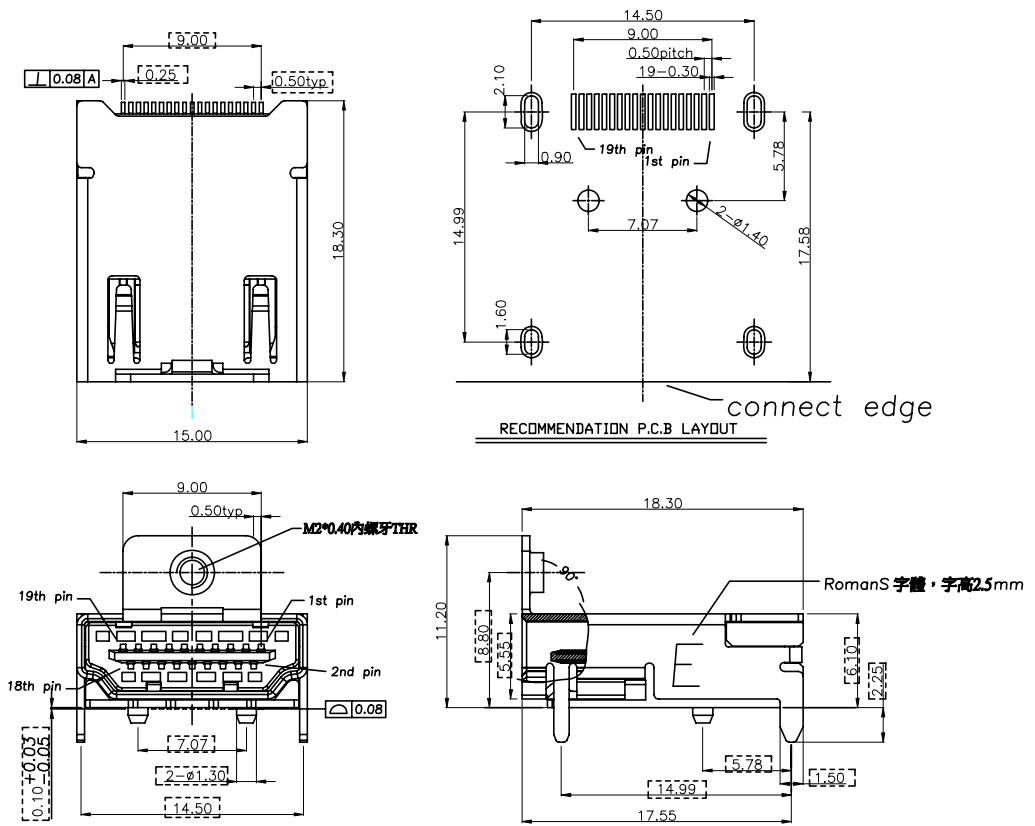


LTR	REV.	DESCRIPTION	DATE

# ROHS-COMPLIANT



**Specification**

**\*Electrical Characteristics:**  
 Contact Current Rating: 0.5 Amperes.  
 Dielectric Withstanding Voltage: AC 500V r.m.s.  
 Insulation Resistance: 100MΩ Min.  
 Contact Resistance: 30mΩ Max.

**\*Mechanical Characteristics:**  
 Contact Insertion Force: 4.5Kg Maximum.  
 Contact Separation Force: 1.0~4.0Kg

**\*Environmental:**  
 Operating Temperature: -55° C ~ +105° C.

**\*Material:**  
 Insulator: HI-Temp Plastic UL 94V-0.  
 Contact: Copper Alloy (t=0.20mm).  
 Shell: Copper Alloy (t=0.50mm).

**\*PLATING:**  
 TERMINAL: Au plated on contact point  
 100u" Sn plated on solder tail point  
 both over 50u" Min Ni underplated overall  
 SHELL: 50u" solder base Ni overall.  
 \* Solder-ability: 260±5°C for 5.0±0.5 sec

**NOTE:**  
 1. 帶 [ ] 標注的為重點管控尺寸。

PART NO.	TERMINAL PLATING	SHELL PLATING	PACKING
AUS+A04P-0W402(噴字"E")	GOLD(15u")/TIN PLATED	NICKEL	TRAY
AUS+A04P-02402(無噴字)	GOLD(15u")/TIN PLATED	NICKEL	TRAY
AUS+A04P-02102(無噴字)	GOLD(15u")/TIN PLATED	GOLD	TRAY
AUS+A04P-0W4024(噴字"E")	GOLD(15u")/TIN PLATED	NICKEL	TAPE REEL
AUS+A04P-0W4011(無噴字)	GOLD(15u")/TIN PLATED	NICKEL	TRAY
AUS+A04P-0W4020(無噴字)	GOLD(15u")/TIN PLATED	NICKEL	TAPE REEL
AUS+A04P-02270(無噴字)	GOLD(15u")/TIN PLATED	BLACK NICKEL	TRAY
AUS+A04P-02405(無噴字)	GOLD(15u")/TIN PLATED	Black Nickel plating overall. Sn plating on solder tail area.	TRAY

UNLESS OTHERWISE SPECIFIED TOLERANCE mm: .0 = ±0.38 .00 = ±0.25 .000 = ±0.13 Ang: 0.0 = ±2°	<b>Pcidv Electronics Co.,Ltd</b>		
	Title HDMI SMT TYPE 母铜壳有耳扣 RoHS		
Make LiXing 11/09/2012	BF P/N: HDMI19PF789-R		
Check	App'd	Customer:	
Audit	Scale NONE	Units m/m	Third Angle Projection
Dwg No. PCIDV-0789	REV: A	Sheet 1/1	