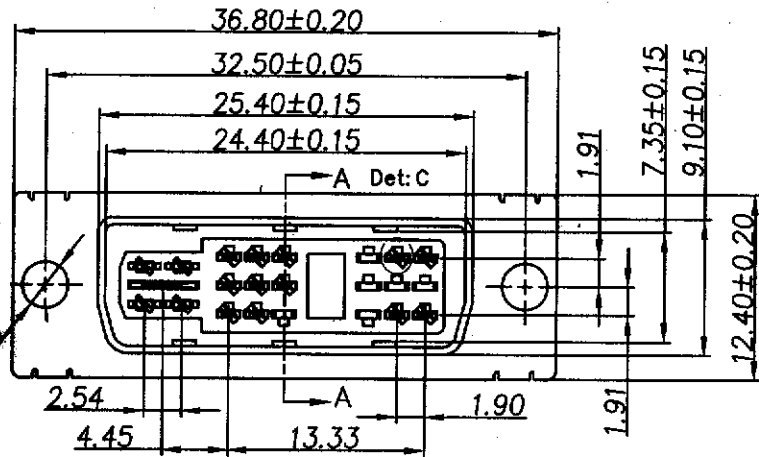


RoHS Compliant

Customer Drawing

REV.	ECN NO	DESCRIPTION	REVISER	DATE
A/0		图画整理	LJR	2007/12/10



Material:

1. Insulator: PBT(Black)+30%Glass Fiber (UL94V-0)
2. Contact: Brass C2680 H65
3. Contact Plated: Au 5u"/ Sn 100u" Min. over Ni 50u" Plated
4. Shell: SPOC-SD (salt test: 12H)
5. Shell Plated: front shell 60u" Cu MIN, 100u" Ni MIN OR 1u" Au MIN back shell Cu60u"/Sn100u"-120u"

Electrical Specification

1. Contact Resistance: 20mΩ MAX
2. Insulation Resistance: 1000MΩ MIN
3. Dielectric Withstanding Voltage: 500V DC

Environmental

Operating Temperature: -20° C~ 85° C.

Mating and unmating forces:

Test condition: ANSI/EIA364-13 insert and extract at a speed of 25mm/minute.

Unmating forces: 1Kgf Min. 4Kgf Max.; Mating forces: 4.5Kgf Max.

contact retention for housing: 0.8Kgf Min./PIN.

How to order

313-17-X-X-EX

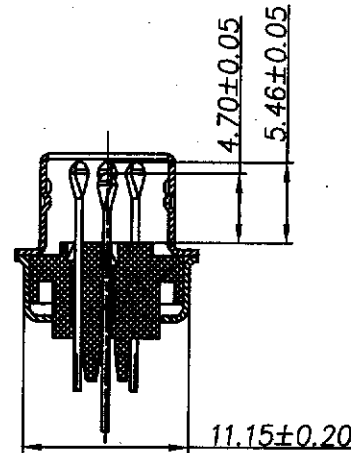
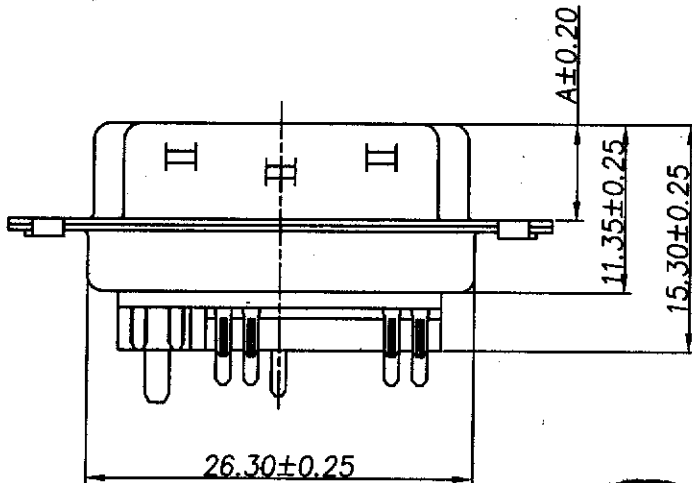
12+5Pin 版本 EX

胶芯颜色:

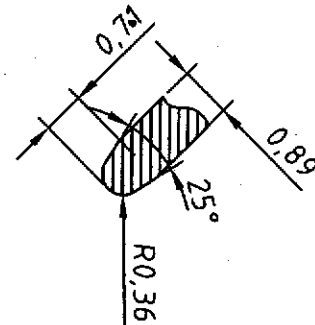
W: White  
K: Black

端子电镀规格:

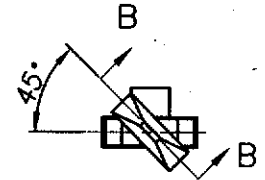
- 1: Gold Flash 1u"
- 2: Gold Flash 3u"
- 5: Gold Flash 15u"
- 6: Gold Flash 30u"



Section: A-A



Section: B-B  
Scale: 4:1



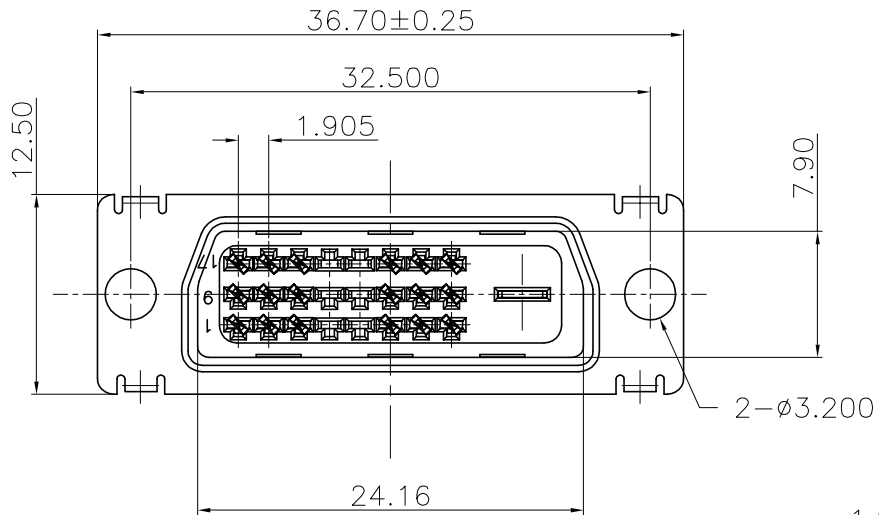
Detail: C  
Scale: 4/1



规格	尺寸
313-17-X-X-E0	6.50
313-17-X-X-E1	6.15

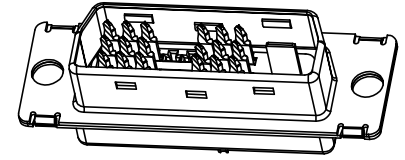
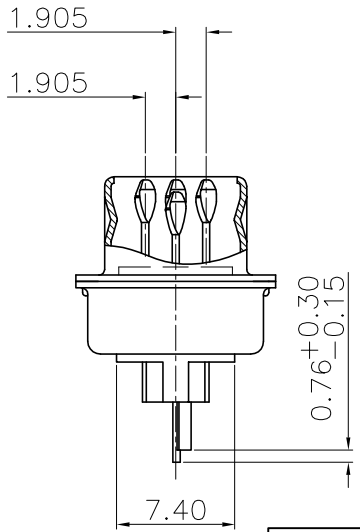
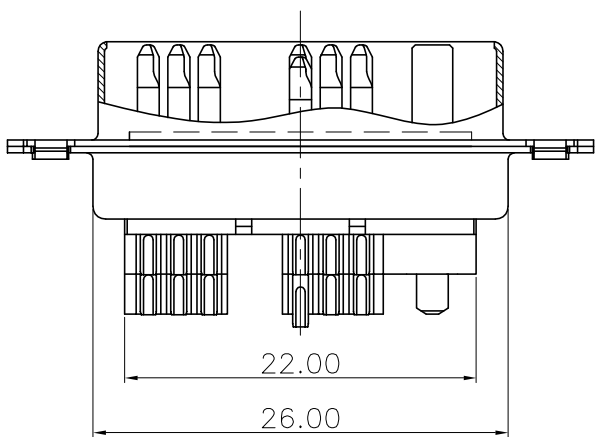
图号 (DWG NO)	XH0028	单位 (UNIT):	MM	<b>深圳显赫科技有限公司</b> ShenZhen XianHe Technological co., Ltd TEL:0755-27536828 FAX:0755-27536522
模号 (MODEL NO)		比例 (SCALE):	1:1	
版次 (REV):	A/0	页次 (PAGE):	1/1	
设计 (DESIGN)	LJR 2007/12/10	未注公差	TOLERANCE UNSPECIFIED	品名 (ITEM NO)
审核 (CHECKED)		X.X ±0.30		DVI 12+5Pin 公大卡点7.35有档板 无防呆点空PIN孔不堵平 脚插改宽改浅 环保
核准 (APPROVED)		X.XX ±0.20		
		X.XXX ±0.05		313-17-X-X-EX
		K° ±5°		
		X.X° ±2°		

REV	ECN.NO:	B Y	DATE
1	NEW DWG	KYO	08/01/09



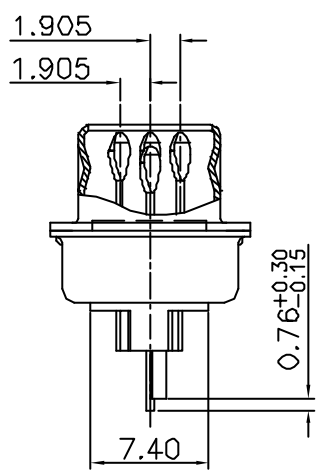
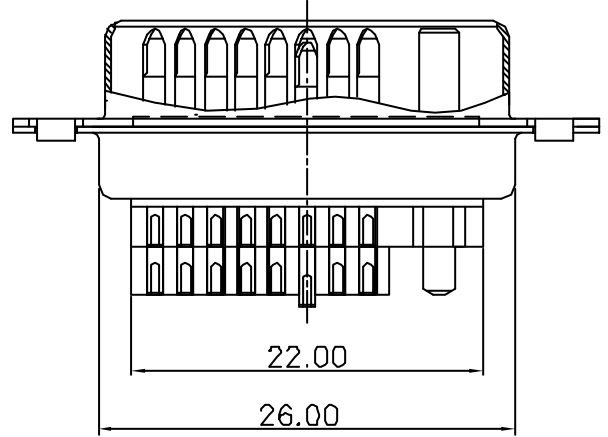
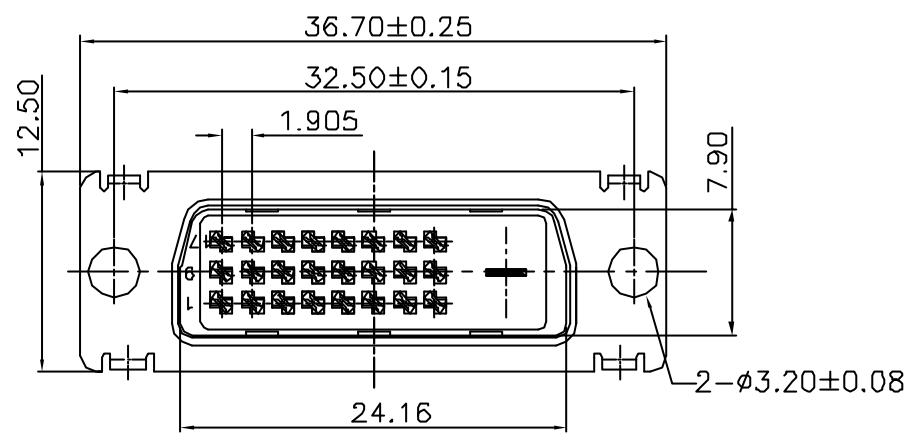
NOTE  
MATERIAL  
INSULATOR: PBT +30%GF  
CONTACTS: BRASS  
SHELL: SPCD  
CONTACT PLATING: GOLD PLATING OVER NICKEL  
ELECTRICAL SPECIFICATION  
CURRENT RATING: 1.5A;  
VOLTAGE RATING: 40V;  
CONTACT RESISTANCE: 30m MAX.  
INSULATION RESISTANCE:1000M MIN 500V DC.  
DIELECTRIC WITHSTANDING VOLTAGE:500V DC  
ENVIRONMENTAL  
OPERRATING TEMPERATURE: -20°C~80°C  
PART NO. DESCRIPTION:

38 1-19 1 1 R X XX 09  
SERIES NO: SERIAL NUMBER  
PRODUCT KIND: COLOR CODE:  
PIN NUMBER: 01=WHITE,02=BLACK  
MALE: PLATING CODE:  
A=1u' B=3u'  
SHELL KIND:R=SPCD  
NUT TYPE:  
1=NO LOCK NUT  
2=LOCK NUT,  
3=ADD NUT



-TOLERANCES- UNLESS OTHERWISE SPECIFIED		東莞高 端 電 子 廠 GAO DUAN ELECTRONIC CO., LTD		DVI MALE 18+1 SOLDER 成品 TITLE: (螺絲孔∅3.20mm一體式膠芯)				
				APPD:	PRODUCT NO: 381-1911RXXX09			
X.X ±0.30	X.X° ±3°	CHECK:	DATE	SCALE	UNIT	TYPE	PAGE	
X.XX ±0.20	X.XX° ±1°		2008.01.09	FREE	MM	Z	1	
X.XXX ±0.15	X.XXX° ±0.5°	DRAW:						


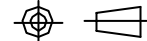
REV	ECN:NO:	B Y	DATE
A0	NEW DWG	ALAN	05/03/28
A1	ECN:EG-H38025	ALAN	05/05/30



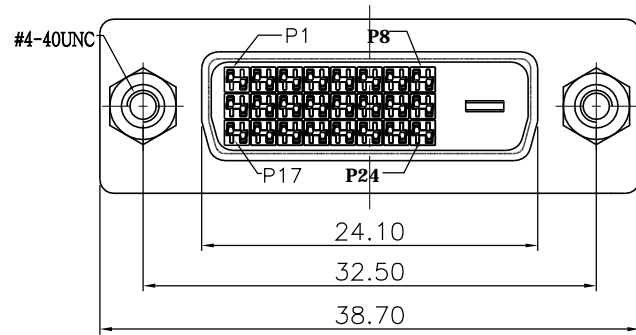
NOTE  
MATERIAL  
INSULATOR: PBT +30%GF  
CONTACTS: BRASS  
SHELL: SPCD  
CONTACT PLATING: GOLD PLATING OVER NICKEL  
ELECTRICAL SPECIFICATION  
CURRENT RATING: 1.5A;  
VOLTAGE RATING: 40V;  
CONTACT RESISTANCE: 30m MAX.  
INSULATION RESISTANCE:1000M MIN 500V DC.  
DIELECTRIC WITHSTANDING VOLTAGE:500V AC  
ENVIRONMENTAL  
OPERRATING TEMPERATURE: -20°C~80°C.  
PART NO. DESCRIPTION:

SERIES NO: 38 1-25 1 1 R A XX 01  
PRODUCT KIND  
PIN NUMBER  
MALE  
NUT TYPE:  
1=NO LOCK NUT  
2=LOCK NUT,  
3=ADD NUT

SERIAL NUMBER  
COLOR CODE:  
01=WHITE,02=BLACK  
PLATING CODE:  
A=1u' B=3u'  
SHELL KIND:R=SPCD

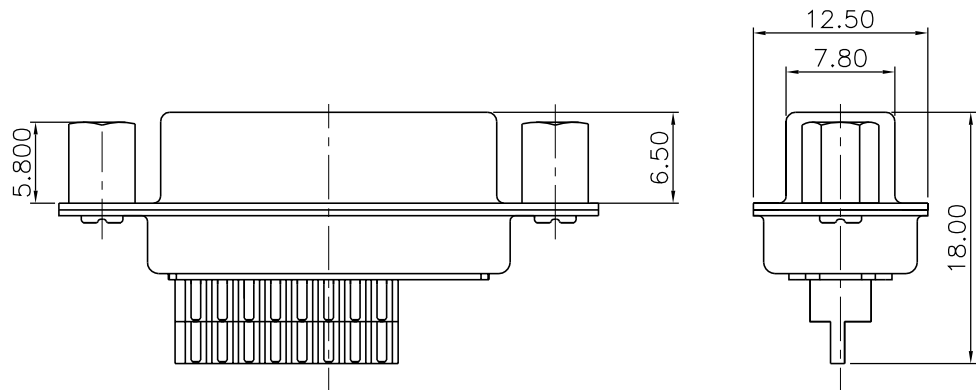
-TOLERANCES- UNLESS OTHERWISE SPECIFIED		 <b>東莞資輝電子廠</b> ZI HUI ELECTRONIC CO., LTD	
		 <b>TITLE:</b> DVI MALE 24+1 SOLDER 成品(螺絲孔: ∅3.20mm)	
<b>X.X</b> ±0.30	<b>XX'</b> ±3'	<b>APPD:</b>	<b>PRODUCT NO:</b> 381-2511RAXX01
<b>X.XX</b> ±0.20	<b>XXX'</b> ±1'	<b>CHECK:</b>	<b>DATE</b> <b>SCALE</b> <b>UNIT</b> <b>TYPE</b> <b>PAGE</b>
<b>X.XXX</b> ±0.15	<b>XXXX'</b> ±0.5'	<b>DRAW:</b>	2005.05.30 <b>FRRE</b> <b>MM</b> <b>Z</b> <b>1</b>


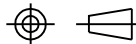
REV	ECN.NO:	B Y	DATE
1	NEW DWG		07/04/25



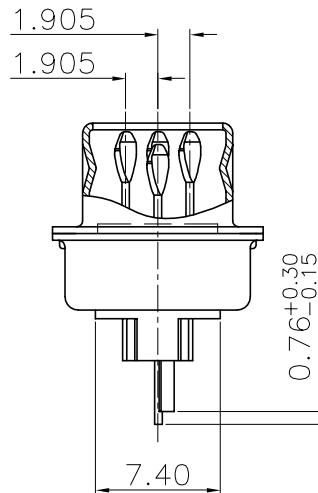
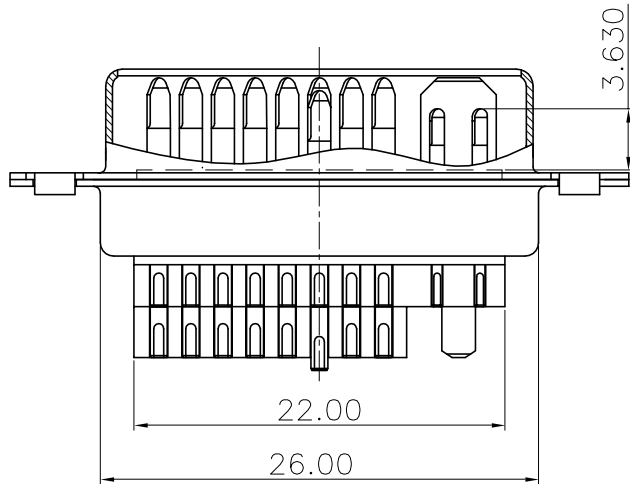
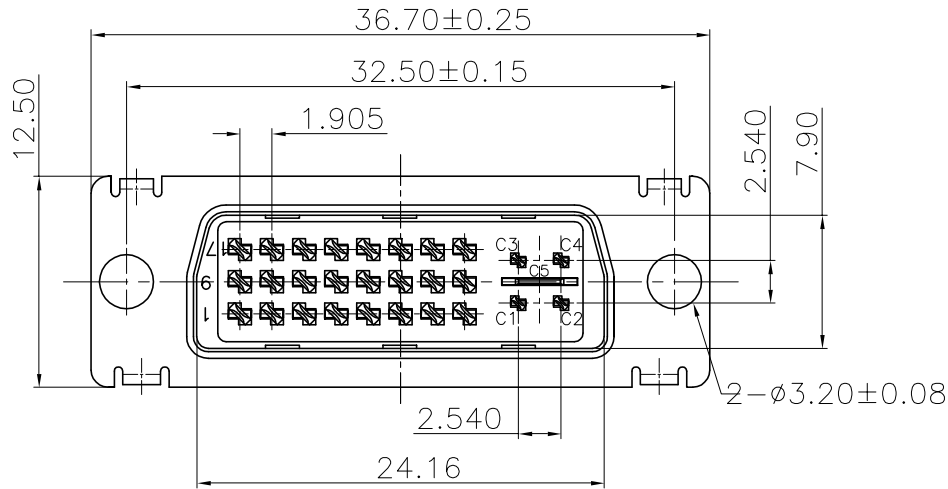
NOTE  
MATERIAL  
BODY&LATCH:PBT  
CONTACTS: BRASS  
SHELL:SPCD  
CONTACT PLATING: GOLD PLATING OVER NICKEL  
ELECTRICAL SPECIFICATION  
CURRENT RATING: 1.5A;  
VOLTAGE RATING: 40V;  
CONTACT RESISTANCE: 30mΩ MAX.  
INSULATION RESISTANCE:1000MΩ MIN 500V DC.  
DIELECTRIC WITHSTANDING VOLTAGE:500V AC  
ENVIRONMENTAL  
OPERRATING TEMPERATURE: -20°C~80°C.

PART NO. DESCRIPTION:  
38 1-25 2 X R A XX 16  
SERIES NO: \_\_\_\_\_ SERIAL NUMBER  
PRODUCT KIND \_\_\_\_\_ COLOR CODE:01=WHITE  
PIN NUMBER \_\_\_\_\_ 02=BLACK 20=OYSTER WHITE  
FEMALE \_\_\_\_\_ PLATING CODE: A=1u' B=3u'  
NUT TYPE:1=NO LOCK NUT \_\_\_\_\_ SHELL KIND:R=SPCC  
2=LOCK NUT,3=ADD NUT



-TOLERANCES- UNLESS OTHERWISE SPECIFIED		 <b>東莞資輝電子廠</b> O O.					
				 <b>TITLE: DVI FEMALE SOLDER 24+1 B 型 前鉤螺母(螺母不通孔)</b>			
X.X ±0.30	X.X" ±3°	APPD:	PRODUCT NO: 381-252XRAXX16				
X.XX ±0.20	X.XX" ±1°	CHECK:	DATE	SCALE	UNIT	TYPE	PAGE
X.XXX ±0.10	X.XXX" ±0.5°	DRAW:	2007.04.25	FREE	MM	Z	1

A1	ECN:EG-H38025	ALAN	05/05/30
A2	ECN:EG-H38074	HUANG	06/11/09

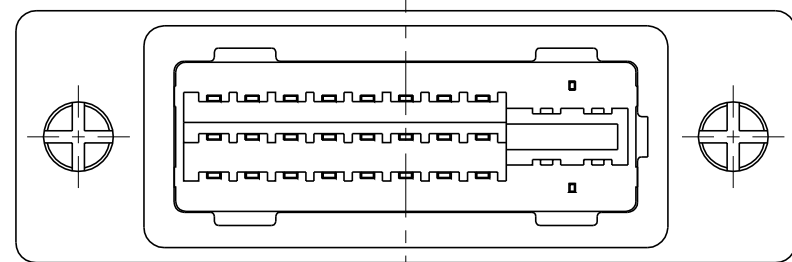
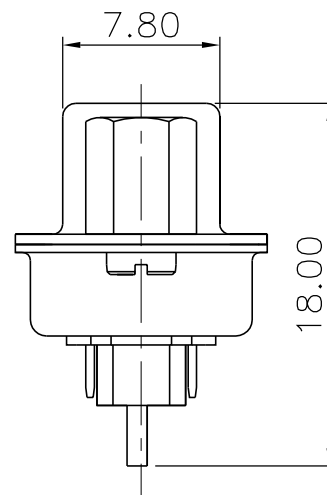
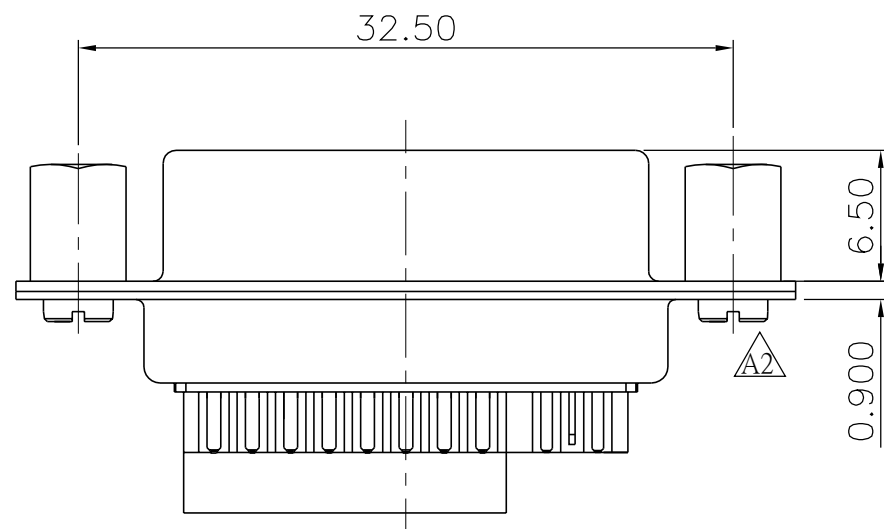
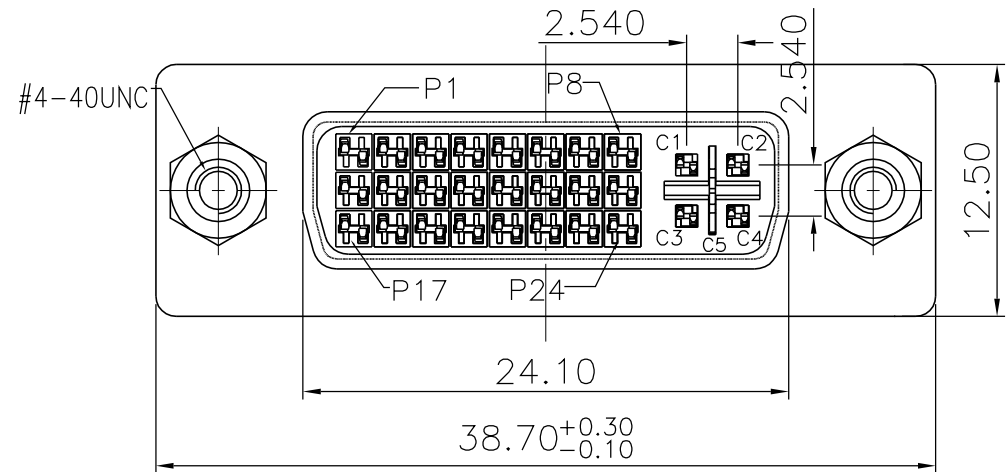


NOTE  
MATERIAL  
INSULATOR: PBT +30%GF  
CONTACTS: BRASS  
SHELL: SPCD  
CONTACT PLATING: GOLD PLATING OVER NICKEL  
ELECTRICAL SPECIFICATION  
CURRENT RATING: 1.5A;  
VOLTAGE RATING: 40V;  
CONTACT RESISTANCE: 30m MAX.  
INSULATION RESISTANCE:1000M MIN 500V DC.  
DIELECTRIC WITHSTANDING VOLTAGE:500V AC  
ENVIRONMENTAL  
OPERRATING TEMPERATURE: -20°C~80°C.  
PART NO. DESCRIPTION:

38 1-29 1 1 R A XX 01  
SERIES NO: SERIAL NUMBER  
PRODUCT KIND: COLOR CODE:  
PIN NUMBER: 01=WHITE,02=BLACK  
MALE: PLATING CODE:  
A=1u' B=3u'  
NUT TYPE: SHELL KIND:R=SPCD  
1=NO LOCK NUT  
2=LOCK NUT,  
3=ADD NUT

-TOLERANCES- UNLESS OTHERWISE SPECIFIED		東莞資輝電子廠 ZI HUI ELECTRONIC CO., LTD	
		DVI MALE 24+5 SOLDER TITLE: 成品(螺絲孔:∅3.20mm)	
X.X ±0.30	X.X° ±3°	APPD:	PRODUCT NO: 381-2911RAXX01
X.XX ±0.20	X.XX° ±1°	CHECK:	DATE SCALE UNIT TYPE PAGE
X.XXX ±0.15	X.XXX° ±0.5°	DRAW:	2006.11.09 FREE MM Z 1

REV	ECN.NO:	B Y	DATE
A1	EG-H38150	KYO	08/02/25
A2	EG-H38159	KYO	08/04/07



NOTE  
MATERIAL  
BODY&LATCH: PBT  
NUMERAL CONTACTS: BRASS  
SIMULATION CONTACTS: PHOSPHOR BRONZE  
GROUND CONTACT:BRASS  
SHELL:SPCD  
CONTACT PLATING: GOLD PLATING OVER NICKEL  
ELECTRICAL SPECIFICATION  
CURRENT RATING: 1.5A;  
VOLTAGE RATING: 40V;  
CONTACT RESISTANCE: 30mΩ MAX.  
INSULATION RESISTANCE:1000MΩ MIN 500V DC.  
DIELECTRIC WITHSTANDING VOLTAGE:500V AC  
ENVIRONMENTAL  
OPERRATING TEMPERATURE: -20° C~80° C.  
PART NO. DESCRIPTION:

SERIES NO: 38 1-29 2 X R A XX 16  
PRODUCT KIND  
PIN NUMBER  
FEMALE  
NUT TYPE:1=NO LOCK NUT  
2=LOCK NUT,3=ADD NUT

SERIAL NUMBER  
COLOR CODE:01=WHITE  
02=BLACK 20=OYSTER WHITE  
PLATING CODE: A=1u' B=3u'  
SHELL KIND:R=SPCD

-TOLERANCES-		東莞資輝電子廠 ZI HUI ELECTRONIC CO., LTD	
UNLESS OTHERWISE SPECIFIED		TITLE: DVI FEMALE SOLDER 24+5 B 型 前鉗螺母(螺母不通孔)	
X.X ±0.30	X.X° ±3°	APPD:	PRODUCT NO: 381-292XRAXX16
X.XX ±0.20	X.XX° ±1°	CHECK:	DATE
X.XXX ±0.10	X.XXX° ±0.5°	DRAW:	SCALE UNIT TYPE PAGE
			2008.04.07 FREE MM Z 1